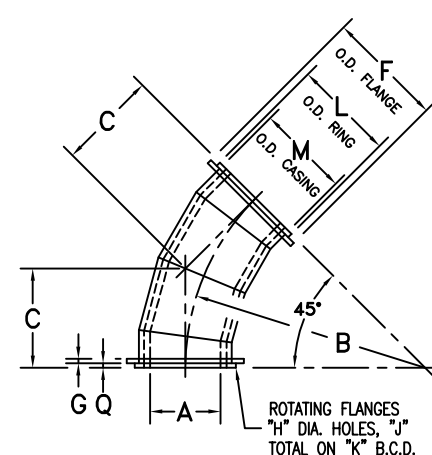
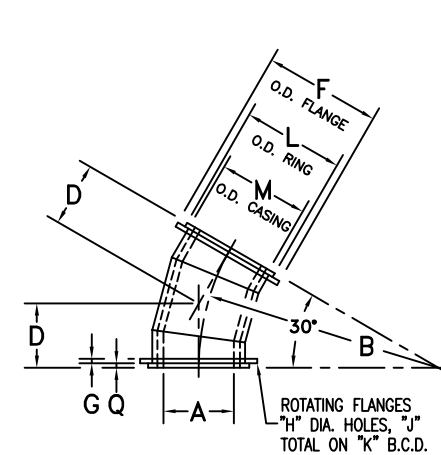


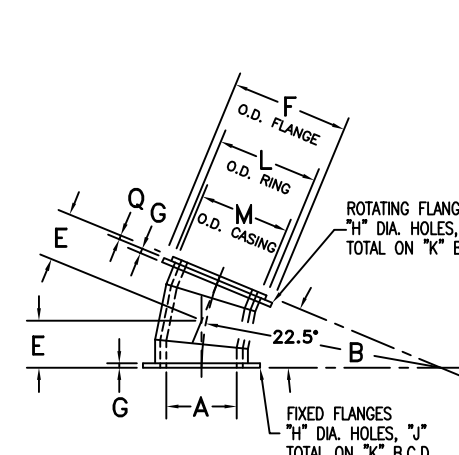
90° ELBOW *



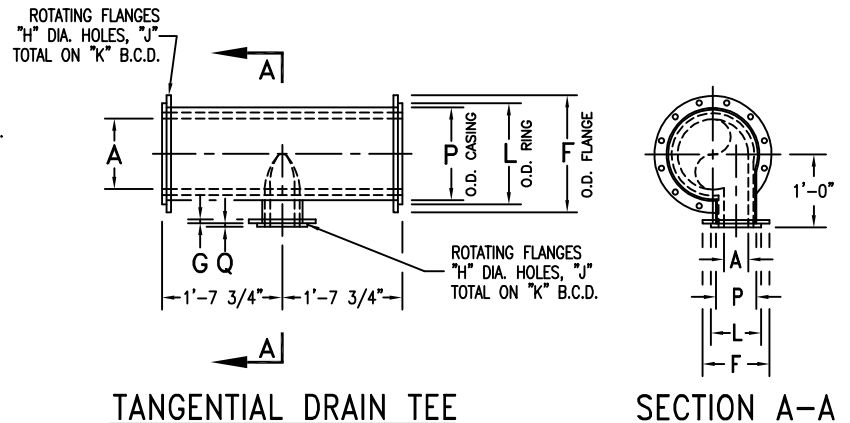
45° ELBOW *



30° ELBOW *

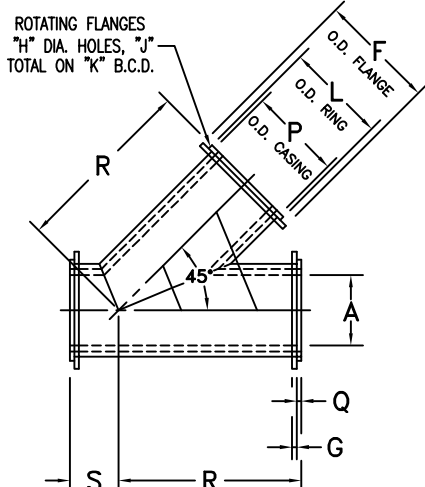


22.5° ELBOW *

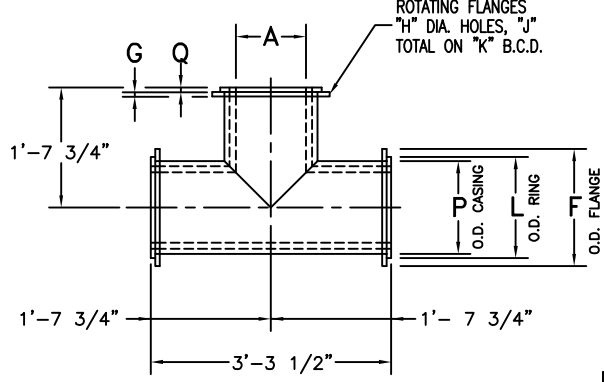


TANGENTIAL DRAIN TEE

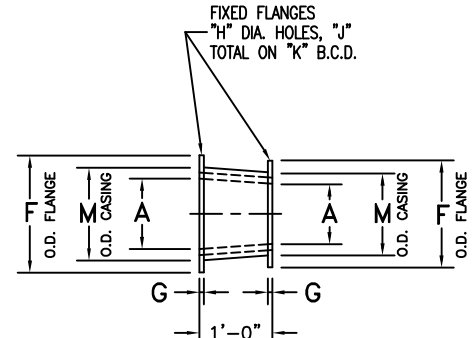
SECTION A-A



45° LATERAL

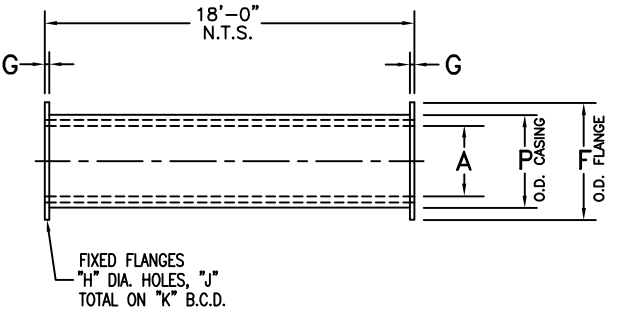


90° TEE



REDUCER

EFFECTIVE NOVEMBER 1, 2003



STANDARD LENGTH SPOOL

GENERAL NOTES

Standard pipe length shown is most commonly used. However, for any other pipe lengths contact the Abresist Corporation.
 Most Radii or Degree of an Elbow can be manufactured. Elbows may be subdivided for manufacturing purposes. Standard flanges on direction changing pieces are Rotating, but any combination of Fixed, Plain, Rotating or Grooved ends can be provided to suit requirements.
 Steel casing thickness is 10-GAUGE (.134") Carbon Steel to ASTM 139. Other steel qualities or types (such as WEATHERING STEEL) are available upon request.
 Standard liner is Abresist, other materials such as Alresist, Kalcor, etc. are possible.
 Portland cement Type 2 mortar is used for Pneumatic and Hydraulic systems.
 Standard point on the exterior steel casing is (2) coats of Alkyd primer (3 mils DFT.) brushed applied. Other exterior paint systems are available upon request.
 *Note: Number and arc angle of steel and liner segments will vary with nominal size and centerline radius. Consult Abresist Corporation for exact details.
 *Note: Steel segments and liner segments will not match, arc angles will differ. Consult Abresist Corporation for exact details of each.

NOM. SIZE	ABRESIST I.D.	B=2'-5 1/2" (750mm)			B=3'-3 3/8" (1000mm)			B=4'-11 1/16" (1500mm)			F	G	H	J	K	L	M	P	Q	R	S	W
		A	C	D	E	C	D	E	C	D												
2"	2" (50mm)	1'-0 1/4"	7 7/8"	5 7/8"	1'-4 5/16"	10 9/16"	7 13/16"	2'-0 7/16"	1'-3 13/16"	11 3/4"	9"	5/8"	3/4"	8	7 1/2"	6 3/4"	5 9/16"	5 9/16"	5/8"	1'-6"	8"	25#
3"	3 1/8" (80mm)	1'-0 1/4"	7 7/8"	5 7/8"	1'-4 5/16"	10 9/16"	7 13/16"	2'-0 7/16"	1'-3 13/16"	11 3/4"	10"	5/8"	3/4"	8	8 3/16"	7 7/16"	6 5/16"	6 5/16"	5/8"	1'-6"	8"	31#
4"	3 15/16" (100mm)	1'-0 1/4"	7 7/8"	5 7/8"	1'-4 5/16"	10 9/16"	7 13/16"	2'-0 7/16"	1'-3 13/16"	11 3/4"	11"	5/8"	7/8"	8	9"	8 1/8"	6 7/8"	6 7/8"	5/8"	1'-6"	8"	37#
5"	4 15/16" (125mm)	1'-0 1/4"	7 7/8"	5 7/8"	1'-4 5/16"	10 9/16"	7 13/16"	2'-0 7/16"	1'-3 13/16"	11 3/4"	12 1/2"	5/8"	7/8"	8	10 1/2"	9 5/8"	8 5/16"	8 5/16"	5/8"	1'-9"	8"	42#
6"	5 7/8" (150mm)	1'-0 1/4"	7 7/8"	5 7/8"	1'-4 5/16"	10 9/16"	7 13/16"	2'-0 7/16"	1'-3 13/16"	11 3/4"	13"	5/8"	7/8"	8	11 1/16"	10 3/16"	9 1/8"	8 5/8"	5/8"	1'-9"	8"	45#
7"	6 7/8" (175mm)	1'-0 1/4"	7 7/8"	5 7/8"	1'-4 5/16"	10 9/16"	7 13/16"	2'-0 7/16"	1'-3 13/16"	11 3/4"	14 5/8"	3/4"	7/8"	8	12 3/4"	11 7/8"	10 5/16"	10 5/16"	3/4"	2'-0"	8"	54#
8"	7 7/8" (200mm)	1'-0 1/4"	7 7/8"	5 7/8"	1'-4 5/16"	10 9/16"	7 13/16"	2'-0 7/16"	1'-3 13/16"	11 3/4"	16"	3/4"	7/8"	8	13 7/8"	13"	11 1/4"	10 3/4"	3/4"	2'-0"	8"	56#
9"	8 7/8" (225mm)	1'-0 1/4"	7 7/8"	5 7/8"	1'-4 5/16"	10 9/16"	7 13/16"	2'-0 7/16"	1'-3 13/16"	11 3/4"	17"	3/4"	7/8"	12	15"	14 1/8"	12 3/8"	12"	3/4"	2'-0"	8"	71#
10"	9 7/8" (250mm)	1'-0 1/4"	7 7/8"	5 7/8"	1'-4 5/16"	10 9/16"	7 13/16"	2'-0 7/16"	1'-3 13/16"	11 3/4"	17 1/2"	3/4"	7/8"	12	15 9/16"	14 5/8"	13 1/4"	12 3/4"	3/4"	2'-6"	8"	73#
11"	10 13/16" (275mm)	1'-0 1/4"	7 7/8"	5 7/8"	1'-4 5/16"	10 9/16"	7 13/16"	2'-0 7/16"	1'-3 13/16"	11 3/4"	19"	3/4"	7/8"	12	17"	16 1/8"	14"	14"	3/4"	2'-6"	8"	83#
12"	11 9/16" (294mm)	1'-0 1/4"	7 7/8"	5 7/8"	1'-4 5/16"	10 9/16"	7 13/16"	2'-0 7/16"	1'-3 13/16"	11 3/4"	19 1/4"	3/4"	7/8"	12	17 1/2"	16 5/8"	15 1/4"	14 1/2"	3/4"	2'-6"	8"	84#
13"	12 13/16" (325mm)	1'-0 1/4"	7 7/8"	5 7/8"	1'-4 5/16"	10 9/16"	7 13/16"	2'-0 7/16"	1'-3 13/16"	11 3/4"	21"	1"	7/8"	12	18 3/4"	17 7/8"	16"	16"	1"	2'-6"	8"	100#
14"	13 3/4" (350mm)	1'-0 1/4"	7 7/8"	5 7/8"	1'-4 5/16"	10 9/16"	7 13/16"	2'-0 7/16"	1'-3 13/16"	11 3/4"	22 3/8"	1"	7/8"	16	20 3/8"	19 1/2"	17"	17"	1"	2'-6"	8"	110#
15"	14 3/4" (375mm)	1'-0 1/4"	7 7/8"	5 7/8"	1'-4 5/16"	10 9/16"	7 13/16"	2'-0 7/16"	1'-3 13/16"	11 3/4"	23 1/2"	1"	7/8"	16	21 1/4"	20 3/8"	18"	18"	1"	2'-9"	8"	116#
16"	15 3/4" (400mm)	1'-0 1/4"	7 7/8"	5 7/8"	1'-4 5/16"	10 9/16"	7 13/16"	2'-0 7/16"	1'-3 13/16"	11 3/4"	24 3/8"	1"	7/8"	16	22 1/4"	21 3/8"	19"	19"	1"	2'-9"	8"	121#
17"	16 15/16" (430mm)	1'-0 1/4"	7 7/8"	5 7/8"	1'-4 5/16"	10 9/16"	7 13/16"	2'-0 7/16"	1'-3 13/16"	11 3/4"	25 1/2"	1 1/8"	7/8"	16	23 1/4"	22 3/8"	20 1/4"	20 1/4"	1"	3'-0"	8"	132#
18"	17 11/16" (450mm)	1'-0 1/4"	7 7/8"	5 7/8"	1'-4 5/16"	10 9/16"	7 13/16"	2'-0 7/16"	1'-3 13/16"	11 3/4"	26 1/4"	1 1/8"	7/8"	20	24 1/4"	23 3/8"	21"	21"	1"	3'-0"	8"	136#
19"	18 11/16" (475mm)	1'-0 1/4"	7 7/8"	5 7/8"	1'-4 5/16"	10 9/16"	7 13/16"	2'-0 7/16"	1'-3 13/16"	11 3/4"	26 7/8"	1 1/8"	7/8"	20	25 1/4"	24 3/8"	22"	22"	1"	3'-3"	8"	145#
20"	19 11/16" (500mm)	1'-0 1/4"	7 7/8"	5 7/8"	1'-4 5/16"	10 9/16"	7 13/16"	2'-0 7/16"	1'-3 13/16"	11 3/4"	28 3/4"	1 1/8"	7/8"	20	27"	26 1/8"	23"	23"	1 1/8"	3'-3"	8"	150#
21"	20 11/16" (525mm)	1'-0 1/4"	7 7/8"	5 7/8"	1'-4 5/16"	10 9/16"	7 13/16"	2'-0 7/16"	1'-3 13/16"	11 3/4"	32"	1 1/8"	7/8"	20	29 1/2"	28 5/8"	24"	24"	1 1/8"	3'-6"	9"	155#

- NOTES**
- 90° elbows with a radius larger than 4'-0" may be subdivided for manufacturing purposes.
 - Preferred maximum spool length for 2" I.D. is 10'-0" long.
 - Standard connections sets which include bolts, nuts and washers to be Grade 5, unless otherwise noted.
 - All elbows under 30° are to be fabricated with a fixed flange one end by rotating flange opposite end.

ABRESIST CORPORATION
 P.O. BOX 38, URBANA, INDIANA 46990
 (260)774-3327
STANDARD ABRESIST PIECES
 CUSTOMER: _____
 D.FTR. D.K. DATE: 09-14-83
 C.D. A.C. DATE: 11-01-03
 C.P.D. _____
 D.W. No. _____
40-0800M
 SCALE: 3/4" = 1'-0" UNLESS NOTED
 THIS DRAWING NOT TO BE DISCLOSED, USED, DUPLICATED OR RETAINED EXCEPT AS PERMITTED BY ABRESIST CORPORATION.